

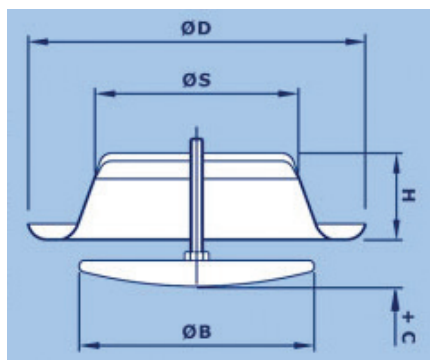
# briteair

## Air Valves

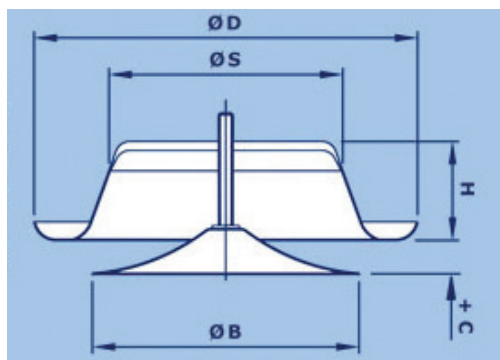
Available as supply or return air valves. Manufactured from steel sheet and powder coated RAL 9010 as standard. Regulation of airflow is achieved by turning the control disc to change adjustment dimensions (Dim C).



### Extract Air Valve



### Supply Air Valve



### Dimensions in millimetres

	Ø80	Ø100	Ø125	Ø150	Ø160	Ø200
A	115	138	164	202	211	248
B	76	92	111	135	147	194
C	42	40	46	50	54	63
D	105	125	150	175	185	225
E	79	99	124	149	159	199
F	77.5	97.5	122.5	147.5	157.5	197.5

### How To Order

Type	Size	Accessories
BEV - Extract BSV - Supply	See Above	FR - Fire Rated
e.g. 10 No BEV - 150 Dia		

Please contact our Sales Office on 01924 444 174 for selection guidance on the above.